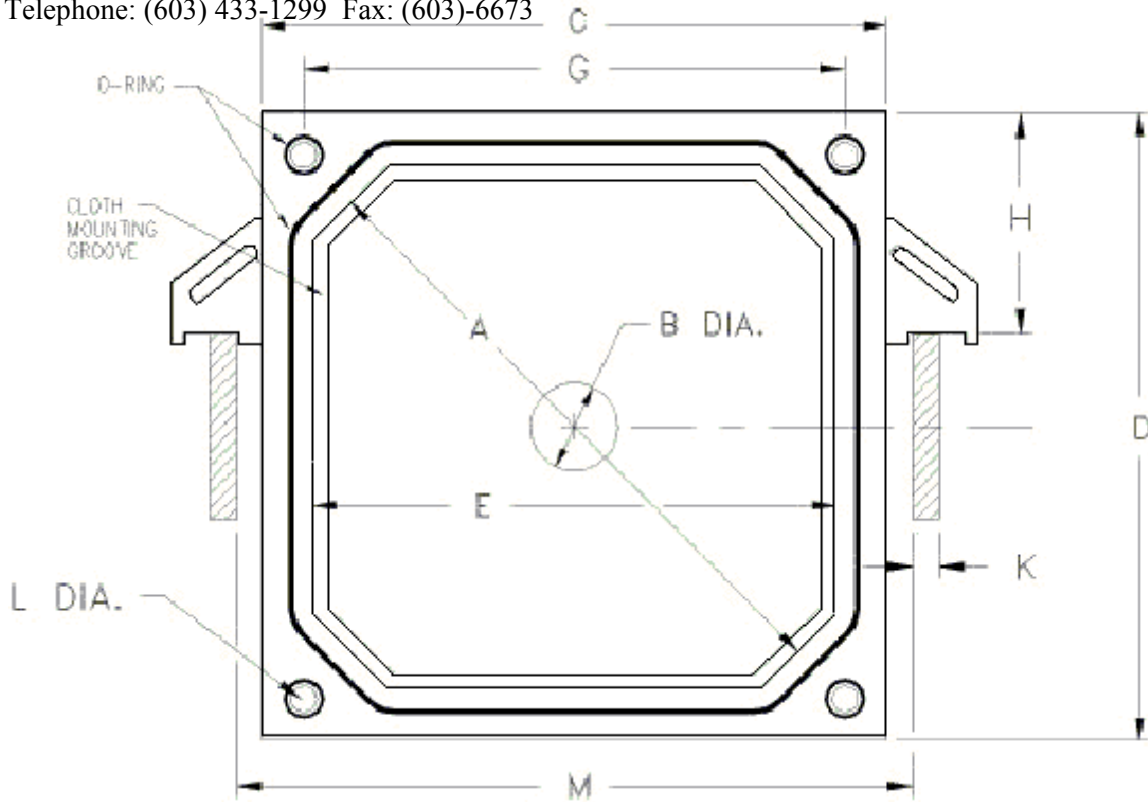


Micronics Inc.
 200 West Road. Portsmouth, NH 03801
 Telephone: (603) 433-1299 Fax: (603)-6673

CGR Filter Plate Questionnaire



Use the table below to enter the dimensions of your Filter Plate:

| Dim | Description | Metric (mm) | Imperial (inch) |
|----------|--|-------------|-----------------|
| A | Diagonal Groove Distance | | |
| B | Feed Hole Diameter | | |
| C | Plate Width | | |
| D | Plate Height | | |
| E | Horizontal Groove Distance | | |
| F | Groove Width | | |
| G | Corner Hole Distance (center to center) | | |
| H | Handle Offset (top of plate to top of side rail) | | |
| K | Side Rail Thickness | | |
| L | Corner Hole Diameter | | |
| M | Side Rail Clearance (inside to inside) | | |

NOTE:

Measure the outside edge to outside edge of the cloth caulking groove. Groove widths are usually between 1/4 and 3/8" wide unless distorted or special.

They are hard to measure.

Check against the rope in the filter cloth, when pushed back into a circular shape it should give you a guide. Or, cut out a piece of rope and send it to us.

Call us if you need help.

Please enter your Contact Information below:

| | |
|------------------------|--|
| Contact Name: | |
| Email Address: | |
| Company: | |
| Address: | |
| City/State/Zip: | |
| Telephone: | |

Enter Press Information below:

| | |
|---------------------------------------|--|
| Press Make: | |
| Feed Pressure: | |
| Plate Thickness: | |
| Cake Thickness: | |
| Is the "O"-ring on both sides? | |
| Which corner holes are ported? | |